

Micronizer™

TRIAD and PENTA

Vector Pro Cluster Spray Applicator Specification



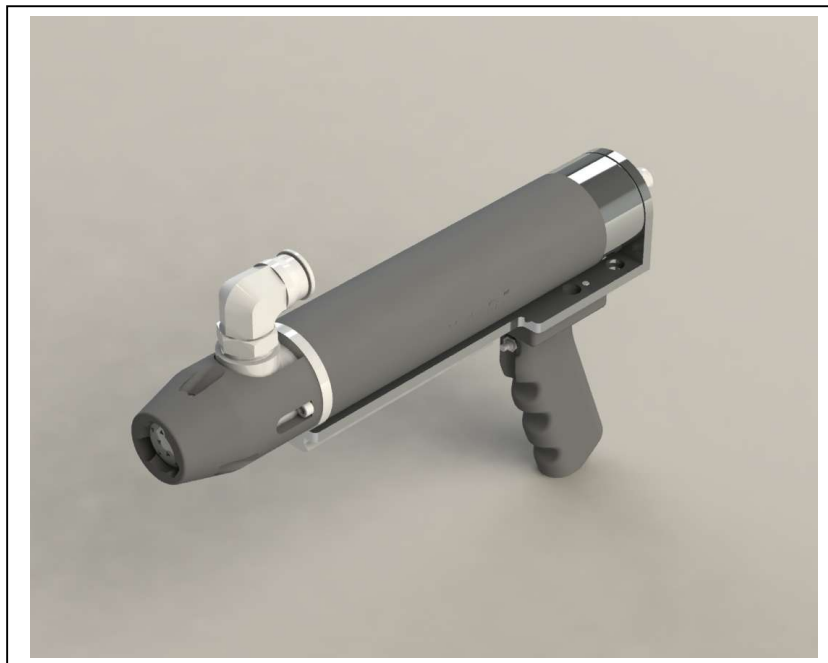
| | |
|------------------------------------|---|
| Model Number | VPSA-Triad, VPSA-Penta (3 and 5 Spray Cluster Spray) |
| Weight | 2 lbs., 1 kg |
| Dimensions | Barrel L 7", Barrel D 2.3", Handle L 5", Handle W 2" |
| Propellant Inlet | ½" OD Push-To-Connect |
| CO₂ inlet | ¼" OD Compression Nut |
| Liquid CO₂ Usage | 12 lbs./hour, 5.4 kg/hour, 20 lbs./hour, 9 kg/hour |
| Compressed Air Usage | 8.25 scfm, 234 lpm, 13.75 scfm, 390 lpm @ 80 psi |
| Trigger Handle | Detachable handle and 24 VDC trigger assembly. M-LOK® Rail for accessories |
| M-LOK® Rail Accessories | Robot Adaptor Plate and Attachment Kit 3D Propellant Inlet Cover Rechargeable High Intensity Cleaning Light Mounting bracket for robot EOAT Sling |

Specifications subject to change
M-LOK is a registered Trademark of Magpul Industries

Micronizer™

DECA

Vector Pro Cluster Spray Applicator Specification



| | |
|------------------------------------|--|
| Model Number | VPSA-Deca (10 Spray Cluster) |
| Weight | 4 lbs., 1.8 kg |
| Dimensions | Barrel L 13", Barrel D 2.3", Handle L 5", Handle W 2" |
| Propellant Inlet | ½" OD Push-To-Connect |
| CO₂ inlet | ¼" OD Compression Nut |
| Liquid CO₂ Usage | 40 lbs./hour, 18.1 kg/hour |
| Compressed Air Usage | 27.5 scfm, 779 lpm @ 80 psi |
| Trigger Handle | Detachable handle and 24 VDC trigger assembly. M-LOK® Rail for accessories |
| M-LOK® Rail Accessories | Robot Adaptor Plate and Attachment Kit Foregrip 3D Propellant Inlet Cover Rechargeable High Intensity Cleaning Light Sling |

Specifications subject to change
M-LOK is a registered Trademark of Magpul Industries

Micronizer™ HAMMERHEAD

Vector Pro Wide Spray Applicator Specification



| | |
|------------------------------------|--|
| Model Number | VP5A-Hammerhead (10 Spray Wide) |
| Weight | 3 lbs., 1.4 kg |
| Dimensions | Block L 8", Block W 4.5", Block D 1.5" |
| Propellant Inlet | ½" OD Compression Nut |
| CO₂ inlet | ¼" OD Compression Nut |
| Liquid CO₂ Usage | 40 lbs./hour, 18.1 kg/hour |
| Compressed Air Usage | 27.5 scfm, 779 lpm @ 80 psi |
| Trigger | Remote 24 VDC trigger switch |
| M-LOK® Rail Accessories | Robot Adaptor Plate and Attachment Kit Dual Ionizers (Shown Above, Right) Rechargeable High Intensity Cleaning Light |

Specifications subject to change
M-LOK is a registered Trademark of Magpul Industries

Micronizer™

SOLO

Vector Pro Spray Single Spray Applicator Specification



| | |
|------------------------------------|--|
| Model Number | VPSA-SOLO (Single and Custom Pencil Spray) |
| Weight | 1.5 lbs., 0.7 kg (max. with handle, not shown) |
| Dimensions | Barrel L 7", Barrel D 0.5", Handle L 4.5", Handle W 1" |
| Propellant Inlet | ½" OD Compression Nut |
| CO₂ inlet | Capillary Feed System and Locking Screw |
| Liquid CO₂ Usage | 4 lbs./hour, 1.8 kg/hour |
| Compressed Air Usage | 2.75 scfm, 77 lpm @ 80 psi |
| Trigger | Footswitch |
| M-LOK® Rail Accessories | Not Applicable |

Specifications subject to change
M-LOK is a registered Trademark of Magpul Industries



Clean Manufacturing, *Reimagined.*

clean
imagineering™

CLEANLOGIX
a division of Clean Imagineering LLC

767 Hawthorne Avenue Unit B
Ponderay, ID 83852 U.S.A.
<https://www.cleanimagineering.com>
info@cleanimagineering.com
+1 (661) 430-6767

© Clean Imagineering LLC
All Rights Reserved

Release 7 – March 10, 2026

Tech Spec Micronizer Spray Applicators.PDF